

## MCHANICAL BLADE CLAMP 5T

For safe and easy full rotor installation



The Blade clamp is designed to be used for installation and dismounting of wind turbine rotors. It is an assisting tool for handling and lifting complete rotors up to the nacelle. But it can also be used for a rotor lift containing one blade while the other two blades are mounted on the hub with a C-lifter. The Blade clamp is used as a “clamp” around the trailing blade, when the rotor is lifted for installation on the wind

turbine. The main crane lifts the rotor, while the smaller crane with the Blade clamp controls the trailing blade making the rotor turn to installation position. After the rotor has been installed the Blade clamp can be released using a remote control. The Blade clamp can also be used to assist in lowering the rotor to a horizontal position when demounting a rotor.

### YOUR DIRECT ADVANTAGES

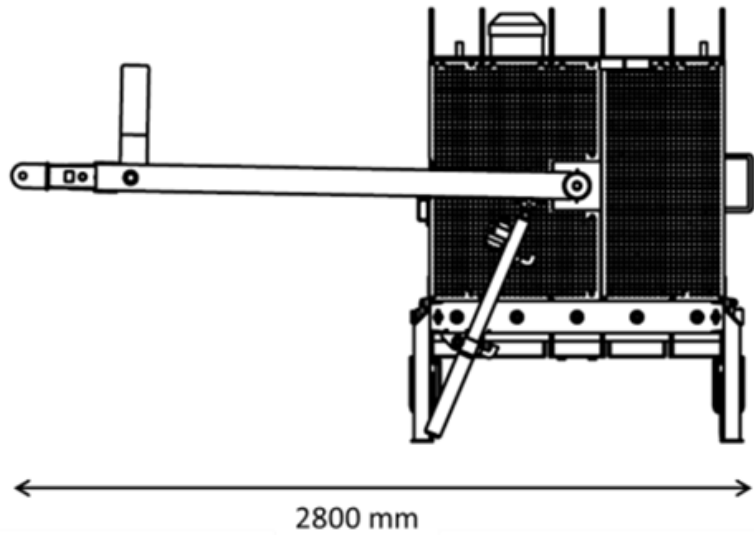
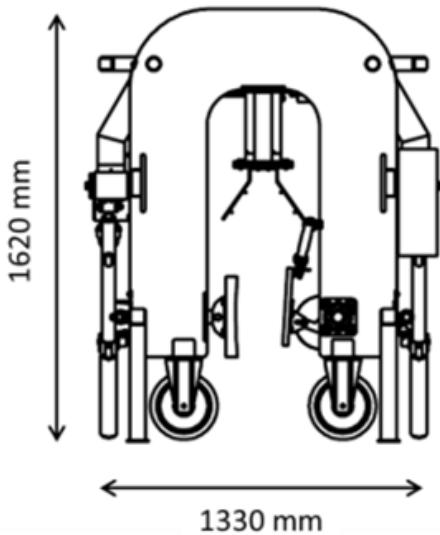
- Battery driven; no cables during operation
- Easily adjustable to different types of blades
- Approved for both Europe and USA
- Can be customized to different blade types and sizes

### Extra Options

- Milled shoepads for Vortex generator protection
- Operator training course
- Different kits (adjustment pieces) for different blade types
- Service pack

### TECHNICAL SPECIFICATIONS

Our standard design fits a range of blade sizes. However, like all our products, the profile blade clamp can be easily adjusted to meet customer requirements.



### Electrical data

Voltage	
Charging System:	230V (USA-UK: 110V)
During operation:	24 V Battery
Frequency:	50/60 Hz
Radio frequency:	433 MHz or 2,4 GHz

### Environmental data

Temperature	-20° to +40° C
Windspeed:	15 Sec/m

### Installation

Weight:	1000 KG
Lifting points:	2

### Engineering data

WLL:	5 T
Tilt:	84°
Pressure:	56.85kN (estimated)
Hydraulics:	(Max) 250 kg/CM <sup>2</sup>

### Material data

Overall IP class:	65
Surface:	C3/ C5M
Shoepads:	PUR / Rubber