

C-YOKE 20-42.5 T

Single blade handling, during installation or demounting of blades



The C-Yoke is designed to be used for single blade handling, during installation or demounting of blades. The C-Yoke is a C-shaped steel construction with an option for an integrated

tilt function, which makes it possible to tilt the yoke $+5^{\circ}$ to -30° . During operation of the C-Yoke, it is possible to control the position of the yoke with our Tagline Master System.

HOW IT WORKS

The blade is positioned with the up/down wind side up. The C-Yoke easily grabs the blade and with hydraulic pressure shoes, specially designed to fit the geometry of a specific blade type, the C-Yoke locks the blade in position. The standard version of the C-Yoke has 4 lifting points with load cells, which increases stability when mounting or demounting blades. As an

option a 1 point lifting method is possible, with the ability to tilt the C-Yoke from $+5^{\circ}$ to -30° . The clamps are padded with high friction rubber to secure the blade with a combination of friction and pressure rather than just pressure which would increase the risk of damage to the blade. The C-Yoke has an assembly time of less than 4 hours.

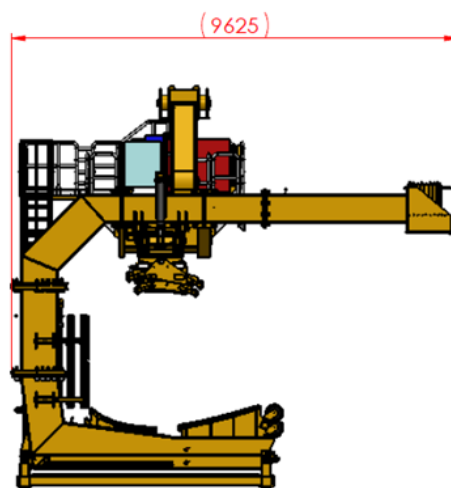
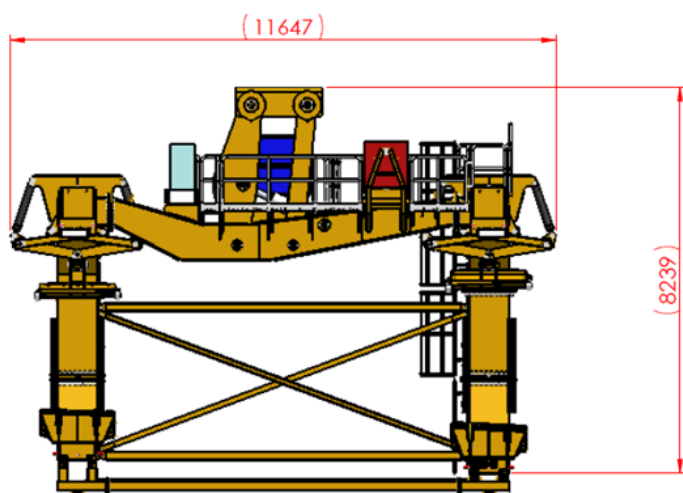
Build upon request

- Custom built to any blade type and size
- 4 point lift
- Back-up system included
- Only one lift
- Assembly time < 4 hours

Extra Options

- 1 point lift with the possibility for tilt $+5^{\circ}$ to -30°
- Operator training course
- Service package
- Interchangeable bottom shoes
- Heated bottom shoes
- Tarpaulin for bottom shoes

TECHNICAL SPECIFICATIONS



Engineering data

WLL:	20—42,5 T
Tilt:	+5°, 0°, -30°
Hydraulics:	(42,5T: 160L, 5,5/2,2 kW electric motor, 400V@50Hz/ 24VDC)
Generator:	Europower New Boy (42,5T: 33kVA 26,4kW)

Electrical data

Voltage:	3 x 400V+PE (delivered by generator)
Internal supply:	24VDC battery pack
Radio frequency:	between 335 Mhz — 870 Mhz
Back-up remote control:	433/ 434 Mhz

Material data

Overall IP class:	65
Surface:	C3/ C5M
Shoe pads:	High friction rubber

Installation

Installation time	< 4 hours
Lifting points	4 for standard yoke 1 for tilt (option) Lifting points for intallation

Enviromental data

Temperature:	-10° To +40°celcius
Windspeed:	15 Sec/m