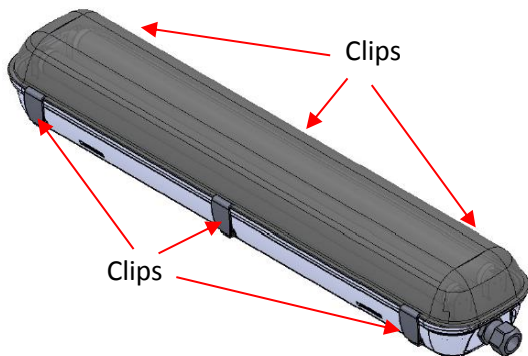


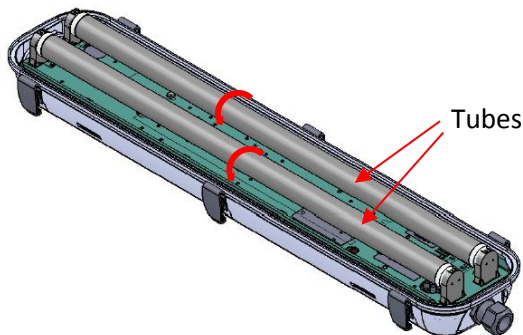


Upgrade to LED – Instruction

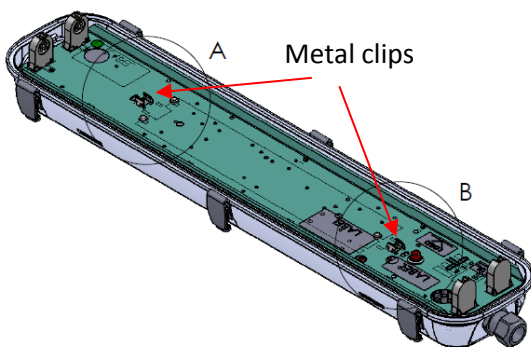
This is a description of how to upgrade a T8 based Resolux Light Fixture with a new LED geartray and diffuser. The purpose of the new opal diffuser (milky color) is to reduce glare from the very high powered and efficient LEDs. The entire process should only last a few minutes. Please follow below step-by-step instruction.



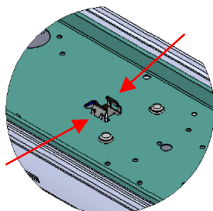
Disengage clips and remove clear diffuser from fixture.



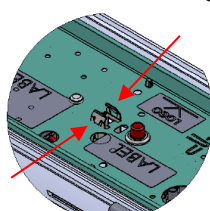
Rotate tubes and remove from geartray.



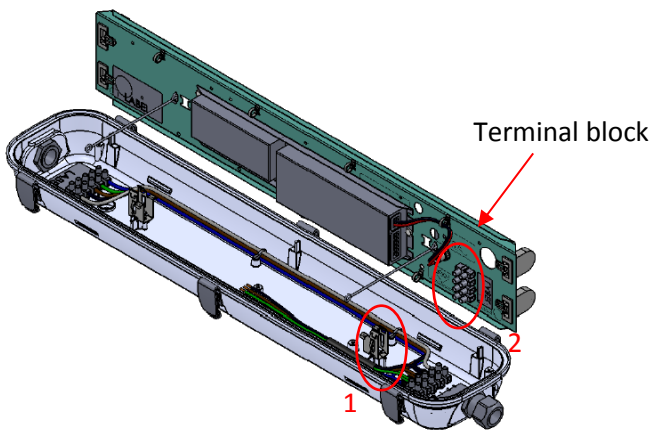
Compress metal clips (see detail "A" and "B") to disengage geartray - geartray can now be separated from base to reveal wiring below.



DETAIL A

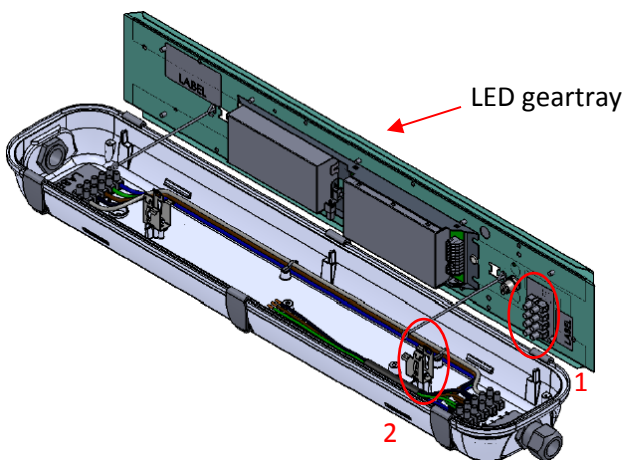


DETAIL B



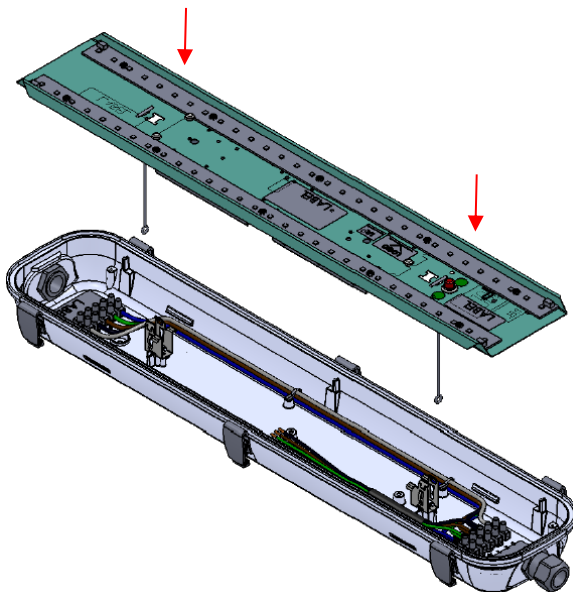
T8 geartray removal: Remove plastic safety straps by pulling it towards bottom of base (1).

Disconnect wires from terminal block on geartray (2).



LED geartray appliance: Attach wires for (new) LED geartray to terminal block (1) as directed on label.

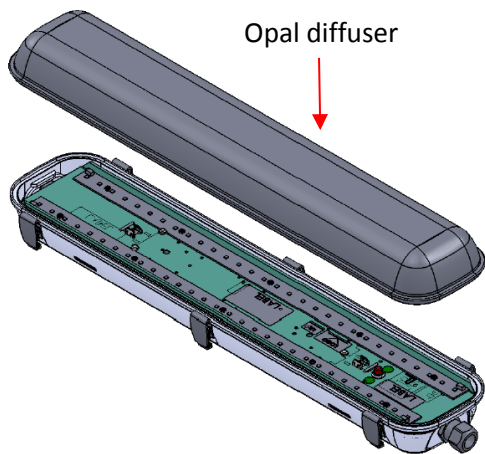
Connect the two safety plastic stag to the metal clips (2).



Carefully place geartray over metal clip and push until “clicking” into place.

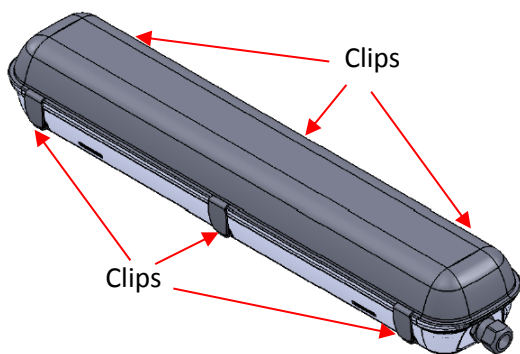


Resolux Group



Opal diffuser

Mount replacement/new opal diffuser. Ensure that diffuser and base are properly aligned before re-engaging clips.



Clips

Clips

Re-engage the clips and the (now LED) Light Fixture is upgraded and ready to use.